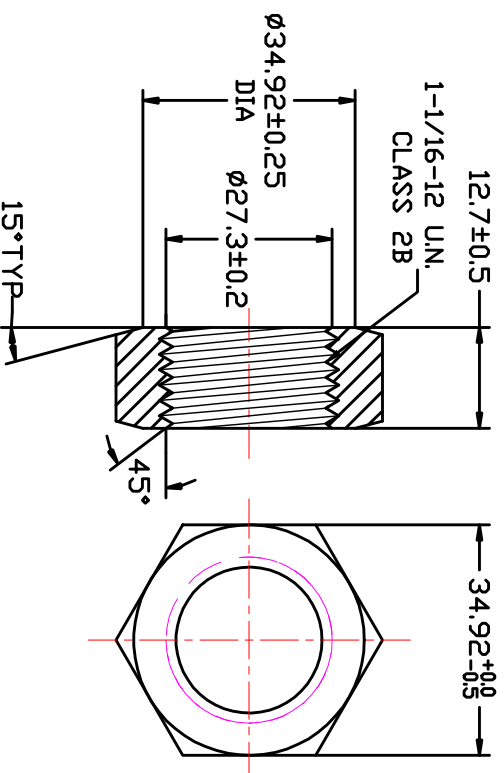
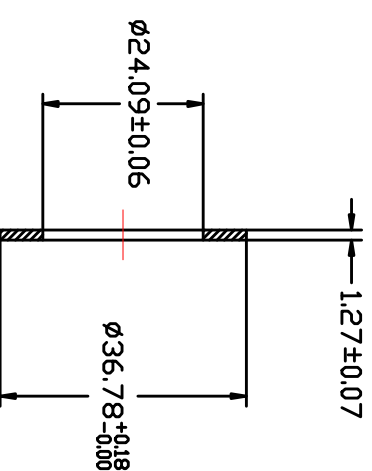


REV	DATE	REVISION DETAILS	APPD
①	2020.02.24	Production Issue	

螺母 Nut



垫片 Washer



UNLESS SPECIFIED
ALL DIMENSIONS IN mm,
MACHINED SURFACES $Ra=3.2\mu m$,
ANGLE TOLERANCES $\pm 5^\circ$,
Other tolerances except angles,
in accordance with
GB/T1804-2000(ISO2768-1) μm
and GB/T1184-1996(ISO2768-2) m

其它事项,
图示尺寸单位为mm,
未注机械加工表面粗糙度 $Ra=3.2\mu m$,
未注角度公差 $\pm 5^\circ$,
其它未注公差 (除角度外) 均按:
GB/T1804-2000(ISO2768-1) μm 和
GB/T1184-1996(ISO2768-2) m

MATERIAL Chinese steel 45

FINISH

Remove all sharp edges, burrs, slivers and spurr, break all edges 0.27-0.25mm,
ZINC PLATING 10 to 15um UNIFORM PLATING THICKNESS AND TRIVALENT CHROMATE PASSIVATION
AND WITHSTAND 96 HRS TO WHITE / 144 HRS TO RED RUST IN SALT SPRAY TEST

抽测合格品, 合格品按抽测, 合格品按抽测, 合格品按抽测, 合格品按抽测,
合格品按抽测, 合格品按抽测, 合格品按抽测, 合格品按抽测,
合格品按抽测, 合格品按抽测, 合格品按抽测, 合格品按抽测,

Zhejiang Geocheng Autoparts Co., Ltd

PART NO 6804-10FS-12NWO-10FS
零件名 -NUT & washer

SCALE: APPRO: DATE: CHK: NTS

DATE: 2020.02.24
日期: 2020.02.24
审核: 2020.02.24